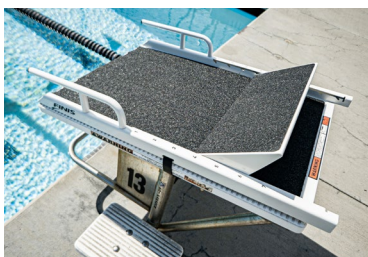


EXPLOSIVE RACE START

Adds power and agility to a swimmer's dive



FITS ALL STANDARD BLOCKS

2 installation methods: bolted (semipermanent) or strapped (temporary).
Width: 50+ cm, Length: 50-81cm



NONSLIP AND DURABLE

Made with a stainless steel platform and polyester tread

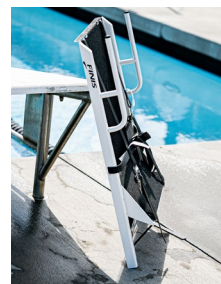
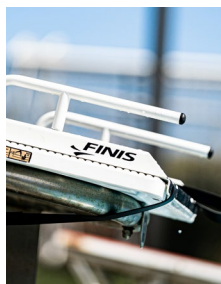


7 ADJUSTABLE SWIMMER SETTINGS

Allows you to set the wedge at your preferred distance or hang it off the back of the block for relay starts

FINA-COMPLIANT

FINA-compliant with all swim block regulatory guidelines



- First notch starts 14 in (355 mm) from the start of the platform– 7 notches total
- 2.25 in (57 mm) increments between each notch
- 15.7 in (400 mm) total from first notch to last notch

PRODUCT DESCRIPTION

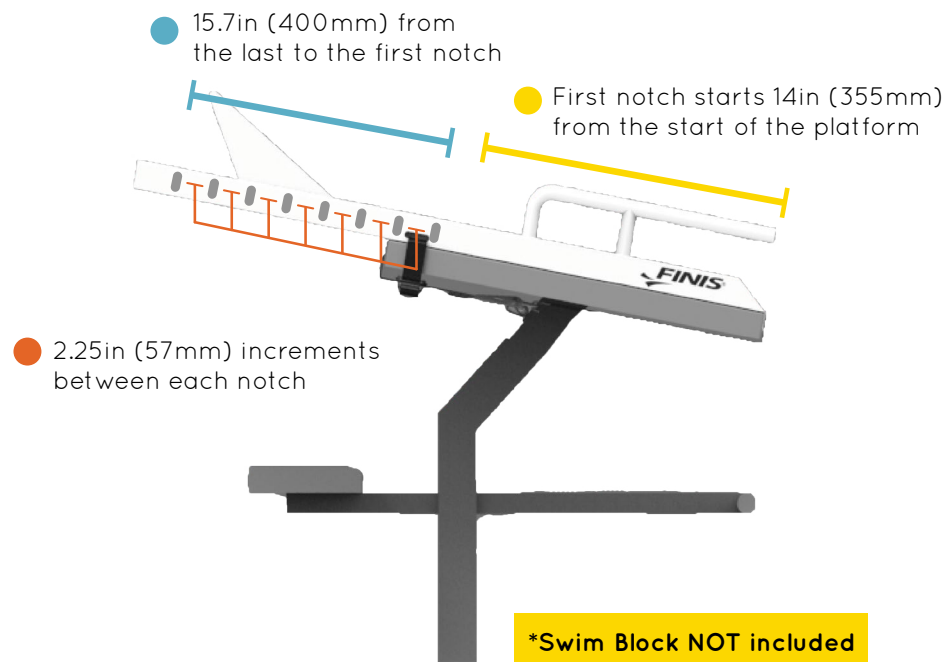
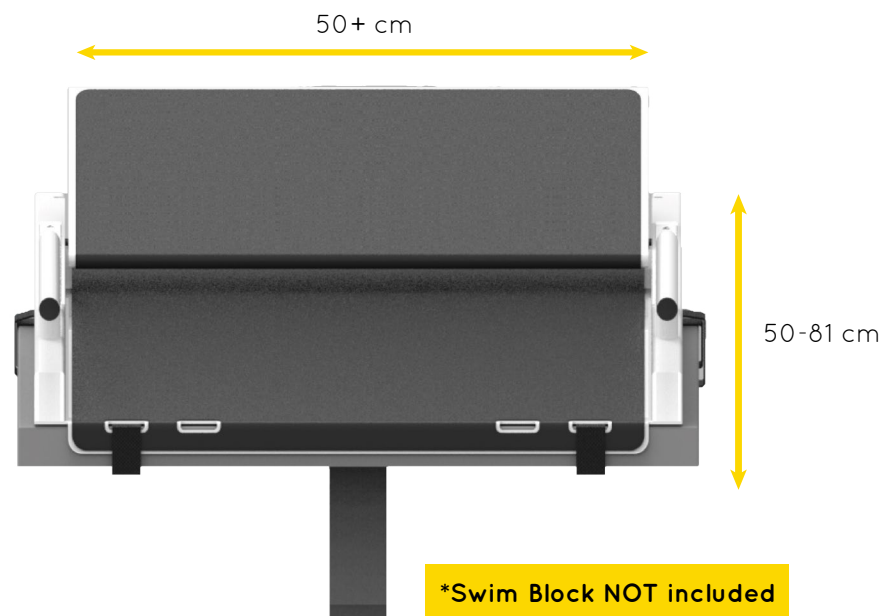
The Swim Block Track-Start is designed as an affordable way for swimmers to practice explosive race starts. The Track-Start is a platform that can be attached to your existing blocks via two methods: bolted or strapped. The bolt method is a semipermanent method requiring you to drill small holes into your block. The strap method is temporary and allows you to strap the platform onto your block when you are ready to practice with it. The Swim Block Track-Start fits all standard blocks and is FINA-compliant.



Designed in California

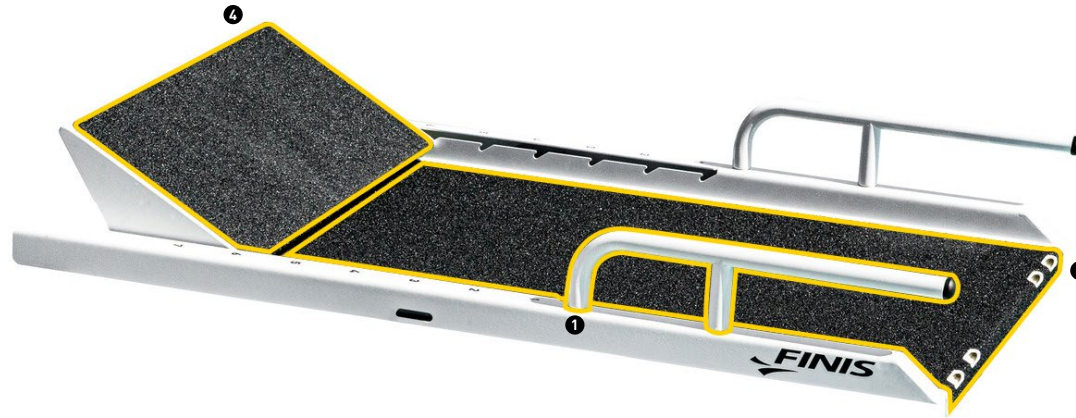


FINA compliant for practice & competition



SWIM BLOCK TRACK-START | REPLACEMENT PARTS

Replacement Parts available for Swim Block Track-Start.



1 REPLACEMENT HANDLE
STYLE: 1.30.059
One replacement handle and hardware



3 PLATFORM REPLACEMENT GRIP TAPE
STYLE: 1.30.053
Self-adhesive grip tape for the Platform



2 REPLACEMENT STRAP
STYLE: 1.30.045
One replacement strap and buckle (3 straps required for temporary installment)



4 FOOT WEDGE REPLACEMENT GRIP TAPE
STYLE: 1.30.056
Self-adhesive grip tape for the Foot Wedge